



Strong / Silent Chain Drive and SuperBelt MVP & CHALLENGER QUICK-START GUIDE



CODING THE TRANSMITTER

YOUR TRANSMITTER IS PRE-CODED AT THE FACTORY WITH ONE OF OVER 19,000 UNIQUE CODES, AND AS SUCH IT IS POSSIBLE TO CONTROL A SINGLE OPENER OR A GROUP OF OPENERS AT ONE LOCATION OR AT MULTIPLE LOCATIONS. YOUR TRANSMITTER MAY BE MOUNTED ON A VISOR USING THE METAL VISOR CLIP (INCLUDED) OR ATTACHED TO A KEY-CHAIN WITH THE BUILT-IN ATTACHMENT. YOUR REMOTE CONTROL RADIO SYSTEM IS COMPATIBLE WITH THE HOMELINK® SYSTEMS.

CODING THE MVP TRANSMITTER IS LIKE SETTING DIP SWITCHES THE THREE PUSHBUTTONS FUNCTION AS THE DIP SWITCHES THERE ARE THREE EASY STEPS TO CODING THE TRANSMITTER

1. PUT TRANSMITTER IN PROGRAM MODE
2. SELECT PUSHBUTTON TO CODE
3. ENTER NINE POSITION CODE

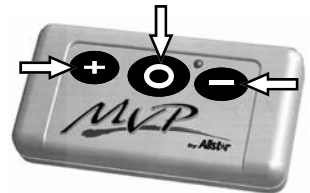
1 PUT TRANSMITTER INTO PROGRAM MODE

- THIS IS DONE BY FIRST PRESSING THE **+** BUTTON AND THEN PRESSING THE **-** BUTTON
- HOLD **BOTH** BUTTONS UNTIL THE LED BLINKS AND RELEASE IMMEDIATELY
- THE TRANSMITTER IS NOW IN PROGRAM MODE



2 SELECT PUSHBUTTON YOU WANT TO CODE

- PUSH THE BUTTON YOU WANT TO PROGRAM
- NOTE: USE THE **+** BUTTON FOR EXPRESS CODING - SEE BELOW
- THE LED WILL BLINK ONCE



3 ENTER THE NINE POSITION CODE

- USE THE BUTTONS AND ENTER A RANDOM 9 POSITION CODE OR ENTER A CODING SET THAT CORRESPONDS TO THE SET YOU SELECTED AND RECORDED IN THE BLOCK AT RIGHT.
- THE LED WILL BLINK TWICE WHEN FINISHED CONGRATULATIONS! YOUR TRANSMITTER IS CODED.



FOR INSTRUCTIONS ON CODING ALL THREE BUTTONS AT THE SAME TIME, SEE EXPRESS CODING INSTRUCTIONS BELOW.

The MVP Radio System can learn 8 different MVP transmitter codes. See Step 3 (at left) and, if desired, record your code settings here.

Code Position →	1	2	3	4	5	6	7	8	9
Plus (+) Button									
Zero (0) Button									
Minus (-) Button									

EXPRESS CODING

- TO CODE ALL THREE BUTTONS WITH A SINGLE CODING PROCESS - FOLLOW STEPS 1, 2, & 3 AS ABOVE EXCEPT :
 - SELECT THE **+** BUTTON IN STEP 2
 - END THE ENTERED CODE IN STEP 3 WITH THE NINTH (LAST) POSITION AS A **+** BUTTON ENTRY
- ALL THREE TRANSMITTER BUTTONS ARE NOW CODED.



TIPS FOR MULTIPLE OPERATOR INSTALLATIONS

FIRST CODE ALL TRANSMITTERS USING EXPRESS CODING (SEE ABOVE FOR DIRECTIONS) - EXPRESS CODING ALLOWS YOU TO PROGRAM MULTIPLE BUTTONS WITH A SINGLE CODING PROCESS - THEN USE A SINGLE TRANSMITTER TO TEACH THE OPERATORS THE TRANSMITTER CODE

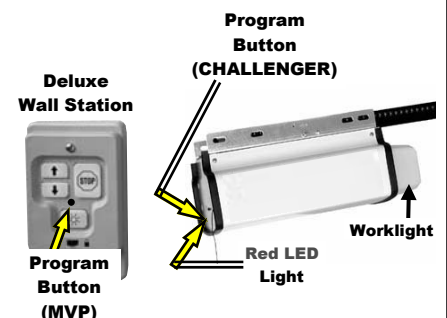
 **HomeLink®** The MVP Quik-Code system is compatible with HomeLink®. HomeLink is a registered trade mark of Johnson Controls, Inc. Code the transmitter as above then program the HomeLink® system.

TEACHING THE OPERATOR THE TRANSMITTER CODE

PRESS PROGRAM BUTTON ON DELUXE WALLSTATION OR OPERATOR REAR PANEL RED LED AND WORKLIGHT ON THE OPERATOR WILL TURN ON

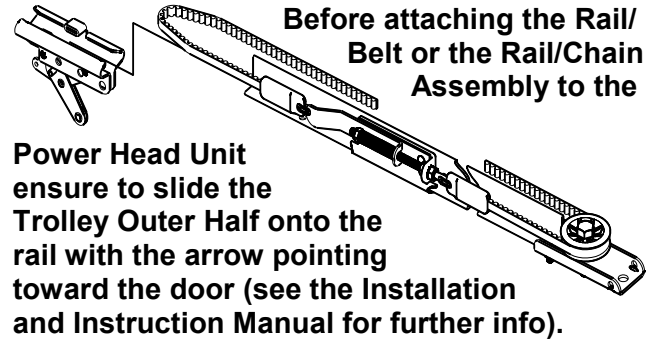
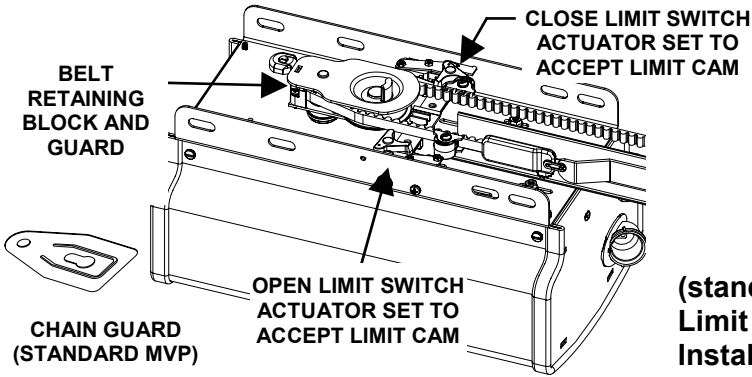
(NOTE: THE RADIO SYSTEM IN THE MVP & CHALLENGER OPERATORS WILL LEARN 8 DIFFERENT MVP TRANSMITTER CODES. IF LED STAYS ON AND WORKLIGHT BLINKS PRESS AND HOLD PROGRAM BUTTON FOR 5 SECONDS TO CLEAR MEMORY AND START OVER)

TRANSMIT DESIRED PUSHBUTTON - LED AND WORKLIGHT WILL TURN OFF (ENSURE WORKLIGHT AND LED TURN OFF - IF LED REMAINS ON WHEN YOU TRANSMIT A CODE - PRESS & HOLD PROGRAM BUTTON FOR 5 SECONDS TO CLEAR MEMORY AND START OVER) OPERATOR HAS BEEN PROGRAMMED - NEXT TRANSMISSION WILL OPERATE THE DOOR



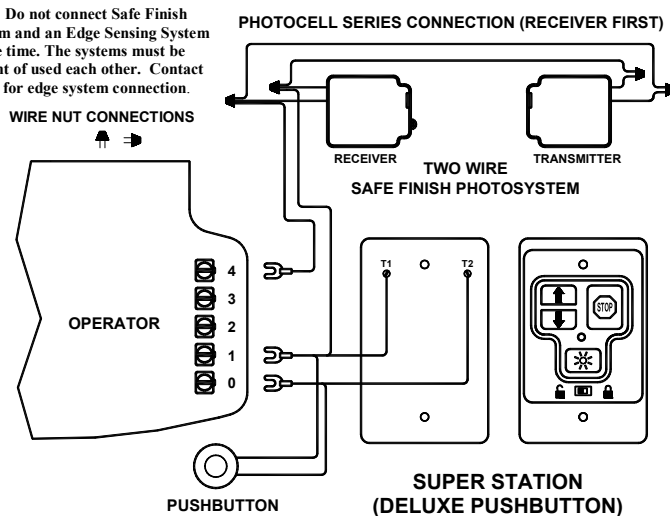
VERY IMPORTANT !

After attaching the Rail/Belt or Rail/Chain Assembly to the Power Unit ensure the Belt Retaining Block and Belt Guard have been installed (Super Belt) and the Chain Guard (see inset below) has been installed



(standard chain drive MVP). In addition, position the Limit Actuators to accept the Limit Cams (see the Installation and Instruction Manual for further info).

Important: Do not connect Safe Finish Photosystem and an Edge Sensing System at the same time. The systems must be independent of used each other. Contact the factory for edge system connection.



WIRING GUIDE

- TERMINAL 4:** Photobeam
- TERMINAL 3:** 24 VDC @ 20mA
- TERMINAL 2:** External Radio
- TERMINAL 1:** Common
- TERMINAL 0:** Super Deluxe Wall Station/Pushbutton

DIAGNOSTIC LED CONDITIONS

DIAGNOSTIC CONDITION	RED LED	GREEN LED
Normal operation	OFF	OFF
Learn Mode	ON*	OFF
Memory Full	ON FOR 25 SECONDS	OFF
Decode RF Signal	SHORT FAST BLINK	OFF
Shorted Pushbutton Wire	OFF	ON
Photobeam Obstruction	OFF	FAST BLINK
Contact Reverse	FAST BLINK	OFF
Stuck Relay	SLOW BLINK	OFF

* Work light turns on and off in parallel with Red LED on rear panel of power head unit in radio learn mode